

1510-1580 Kemmerer Water Sampler

Test before you sample!

We recommend that any new sampler be thoroughly cleaned prior to any sampling. In the event you are performing chemical sampling, before any sampling is done, first fill the sampler with distilled, contaminant-free water and test to determine what contaminants may be present in the sample.

We also recommend that the above procedure be repeated throughout the sampling season.

Introduction:

Using the Wildco® Kemmerer Water sampler is simple: merely lower it on a suitable line to a desired depth. The 1500 series employs a patented trip mechanism of Wildco® design which automatically locks the stoppers open before lowering.

Despite its simplicity, it is best to **practice** with the Kemmerer before taking your sample.

In field work, attention to the key steps in the operation can help assure reliable and uniform samples.

How to test your sampler before sampling:

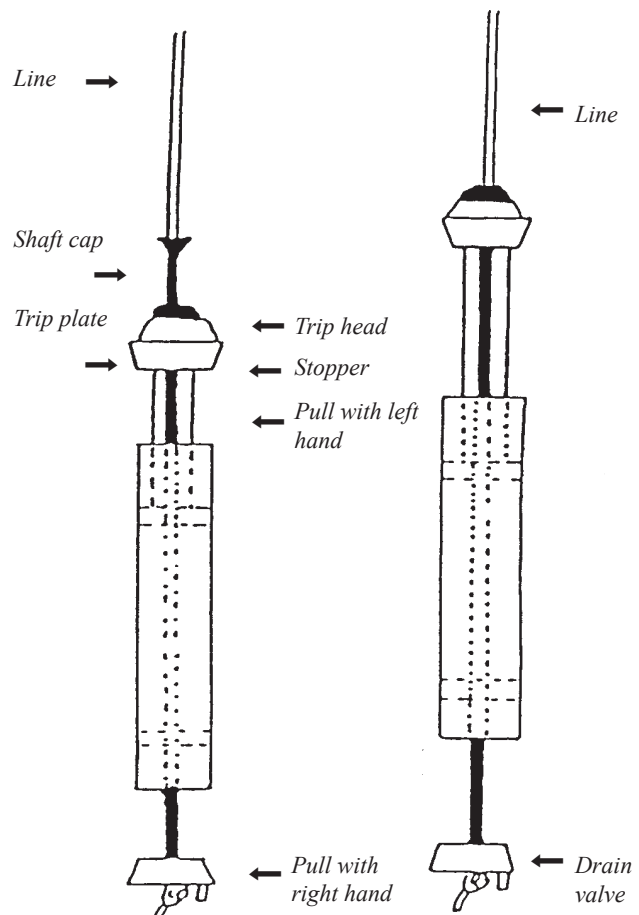
- Run a line (or light chain) through the central tube and fasten securely below the lower stopper to prevent the line from being pulled back through the hole. Depending on the type of line used, tie or pin the line at the bottom of the sampler. We suggest using a washer or nut.
- To cock the sampler, pull the trip head into the trip plate. This is done by holding top and bottom stoppers and giving a short, hard pull to the bottom stopper. [Note: Bottom stopper must make watertight seal with main tube. Drain tube gasket must also make watertight seal.]
- A messenger is attached to the line. When the sampler is at the desired depth, release the messenger. This falls down the line and closes both the upper and lower stoppers. The stoppers seal by their own weight, thus ensuring complete closure.

Note about contamination:

Samplers with blue seals may leach phosphorus and mercury (among other contaminants) and are not recommended for chemical sampling.

Safety:

To prevent personal injury, keep your hands clear of open ends of the main tube while the bottle is in the open position.



P/N 005833

© Wildlife Supply Company. Wildco® and Wildlife Supply Company are registered trademarks of Morris & Lee Inc. All rights reserved.

Operation:

1. We recommend using our 5 mm (3/16") braided polyester line, such as **62-C15** (see page 3). The line should be run through the shaft assembly and secured by knotting it at the bottom of the sampler with a washer.
2. To set the sampler, hold the top stopper and pull the bottom stopper down until the shaft assembly snaps into the trip head.
3. If using a solid messenger, run a line through the messenger prior to attaching the line to the sampler. (Attach the split messenger to the line once the sampler is at the desired depth.)
4. Lower the bottle down to the desired depth. Release the messenger to close the sampler. The stoppers seal by their own weight, thus ensuring a complete closure.

Important note:

The height a messenger should be dropped through the air must be equal to or less than the distance it will travel through the water column. Water will slow down the messenger to prevent damage. Distances greater than this can damage the bottle.

Call 716-877-9518 to order a **shock absorber** for long air drops.

Do not use a messenger heavier than 11 ounce!

Damage to your sampler may result.

Maintenance:

- If cleaning or sterilization is required, use a mild diluted detergent. Test your solution on a small area of the sampler before proceeding with the entire sampler. Autoclaving, or the use of compounds other than a mild detergent will result in damage to the sampler.
- Before storing any water bottle, the entire bottle should be rinsed in fresh, clean water and allowed to completely air dry. When fully dry, store in its case or in a **dark, cool, dry** shelf or cabinet.
- Mold, mildew, metal corrosion and plastic surface deterioration may occur if instruments are stored wet and/or dirty.
- The foam interior and the case may be damaged or deteriorate if the product is not dried after use.
- Kemmerer end seals (stoppers) should not be

sealed, seated or fully closed during storage. While end seals are made of tough elastomers, they all have a tendency to take a set under long periods of inactivity and stress. Store the Kemmerer bottle with the end seals slightly open and with the end seals sealing area not touching the outer cylinder.

Accessories:

Split messenger. Our most popular messenger, this can be placed anywhere on your line, not just at the end, like our solid version. Of 316 corrosion-resistant stainless steel, it features a split barrel and tapered nose. Literally comes on and off with one hand. Includes an interior spring mechanism to hold the barrel closed and a built-in hole for attaching a safety lanyard. Solid messenger, which threads on the end of your line, is also available. Fits 3 to 6 mm (1/8 to 1/4") line, works best with 3/16" line (below). 312 grams in weight (11 ounces).

45-B10 Split messenger, 11 oz. (312 g)

46-D90 Solid messenger, 11 oz (312 g)

Braided nylon line. 3/16" in diameter. Tight, solid braid for extra firmness, strength and minimum stretch. No filler in center to distort. Will not kink or untwist. Easy on hands; can be marked and spliced. Sold in 100 ft, 200 ft, and 100 meter lengths. Working load 110 pounds maximum - breaks at approximately 750 lbs.

62-C15 100 foot length

62-C20 200 foot length

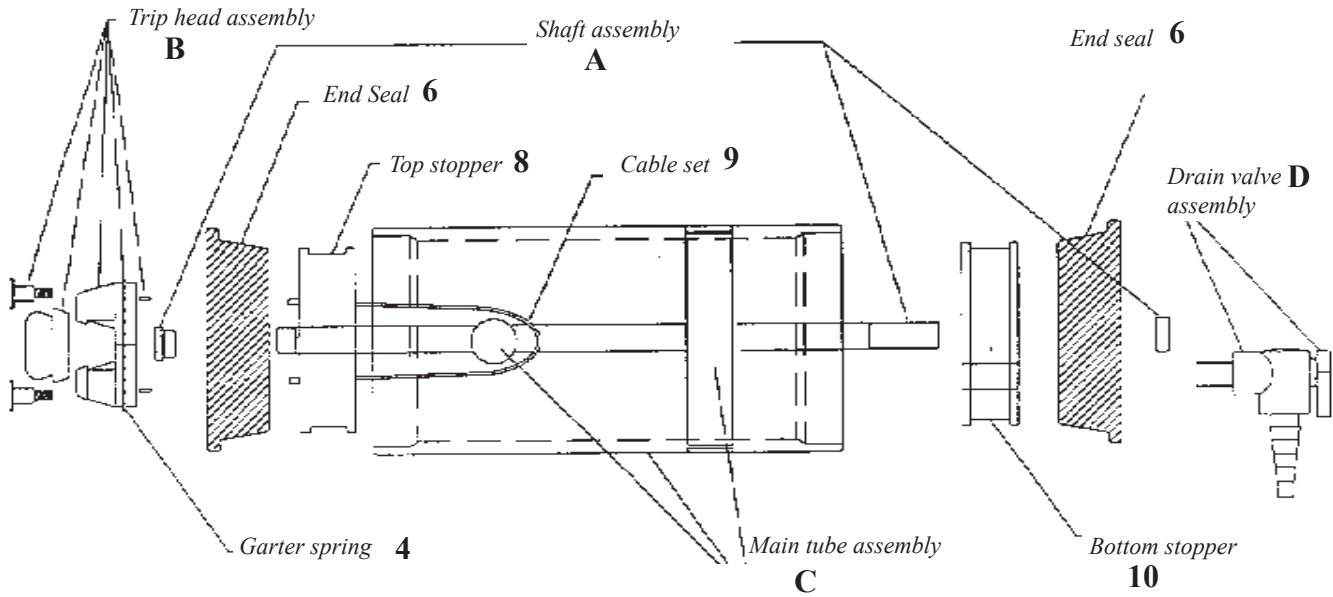
62-C50 100 meter length

Messenger shock absorber. Here is permanent protection for the trip head on long air drops. This custom-molded polyurethane "pillow" slips onto your line before your messenger. When the messenger falls, it hits the shock absorber first, protecting the trip from possible damage.

45-B40 Polyurethane messenger shock absorber

Warranty and Parts:

We replace all defective or missing parts free of charge. Additional replacement parts may be ordered toll-free. We accept MasterCard, Visa, checks and School P.O.s. All products warranted to be free from defect for 90 days. Does not apply to accident, misuse or normal wear and tear. Intended for children 13 years of age and up. This item is not a toy. It may contain small parts that can be choking hazards. Adult supervision is required.



1510 Kemmerers (1.2 L)		P/N
A.	Shaft Assembly	1510-L21
B.	Trip head assembly (1-5) PU	1590-L50
B.	Trip head assembly (1-5) SS	1590-L52
C.	Main tube assembly, acrylic	1510-L25
C.	Main tube assembly, PVC	1510-L26
D.	Drain valve assembly	1510-L24
4.	Garter spring, 3 pack	1270-L82
6.	End seals polyurethane (set of 2)	1510-L11
6.	End seals silicone (set of 2)	1510-L12
8.	Top stopper	1510-L15
9.	Cable set	1510-L17
10.	Bottom stopper	1510-L19

1560 Kemmerers (6.2 L)		P/N
A.	Shaft Assembly	1530-L21
B.	Trip head assembly (1-5) PU	1590-L50
B.	Trip head assembly (1-5) SS	1590-L52
C.	Main tube assembly, acrylic	1560-L25
C.	Main tube assembly, PVC	1560-L26
D.	Drain valve assembly	1510-L24
4.	Garter spring, 3 pack	1270-L82
6.	End seals polyurethane (set of 2)	1560-L11
6.	End seals silicone (set of 2)	1560-L12
8.	Top stopper	1560-L15
9.	Cable set	1560-L17
10.	Bottom stopper	1560-L19

1520 Kemmerers (2.2 L)		P/N
A.	Shaft Assembly	1520-L21
B.	Trip head assembly (1-5) PU	1590-L50
B.	Trip head assembly (1-5) SS	1590-L52
C.	Main tube assembly, acrylic	1520-L25
D.	Drain valve assembly	1510-L24
4.	Garter spring, 3 pack	1270-L82
6.	End seals polyurethane (set of 2)	1510-L11
6.	End seals silicone (set of 2)	1510-L12
8.	Top stopper	1510-L15
9.	Cable set	1510-L17
10.	Bottom stopper	1510-L19

1580 Kemmerers (8.2 L)		P/N
A.	Shaft Assembly	1540-L21
B.	Trip head assembly (1-5) PU	1590-L50
B.	Trip head assembly (1-5) SS	1590-L52
C.	Main tube assembly, acrylic	1580-L25
D.	Drain valve assembly	1510-L24
4.	Garter spring, 3 pack	1270-L82
6.	End seals polyurethane (set of 2)	1560-L11
6.	End seals silicone (set of 2)	1560-L12
8.	Top stopper	1560-L15
9.	Cable set	1560-L17
10.	Bottom stopper	1560-L19

1540 Kemmerers (4.2 L)		P/N
A.	Shaft Assembly	1540-L21
B.	Trip head assembly (1-5) PU	1590-L50
B.	Trip head assembly (1-5) SS	1590-L52
C.	Main tube assembly, acrylic	1540-L25
D.	Drain valve assembly	1510-L24
4.	Garter spring, 3 pack	1270-L82
6.	End seals polyurethane (set of 2)	1510-L11
6.	End seals silicone (set of 2)	1510-L12
8.	Top stopper	1510-L15
9.	Cable set	1510-L17
10.	Bottom stopper	1510-L19